

Description

Model 5080A is a high volume, manually operated rotary action drum pump that delivers up to 100 litres per minute. It is designed for refuelling of both on and off road vehicles and large machinery. The simple design of the 5080A allows easy servicing if required. The pump comes complete with delivery hose and includes a replaceable filter.

*PLEASE NOTE, OIL GEARS BEFORE USE. (SAE 30 oil is recommended for this purpose).

Specifications

Uses	Diesel fuel, petrol, kerosene and low viscosity oils up to SAE 30
Discharge Quantity	1 litre per rotation / 100 litres per minute
Materials	Cast Aluminium, Buna N Seals
Weight	7.0kgs
Size	Suction pipe: 32mm ID x 1m Delivery hose: 25mmID x 2.2m

Operating Instructions

1 Oil Gears Before Use

Before using model 5080A high volume rotary refuelling pump, make sure that you fill the gear cover with oil. Fill with SAE 30 oil or equivalent to the reference line through the lubrication bolt hole (as indicated on the diagram). Inspect & top up periodically as required.

2 Revolution Direction

The handle turns in a clockwise direction and the pump discharges one litre per one revolution of the handle.

3 Filter

A filter of #60 mesh polyethylene net is standard on the pump and it is located at the bottom of the suction pipe. Rotating the handle and therefore operating the pump may become harder if the filter is clogged with other similar impurities that have been filtered out of the fuel or low viscosity oil. Remove the filter periodically and clean with kerosene.

4 Cautions

Suitable liquids include most low viscosity liquids such as unleaded petrol, kerosene and low viscosity oils. Although the pump can be used to pump other liquids of high viscosity, the pump becomes harder to operate and doing so will shorten the life of the pump & may void warranty.

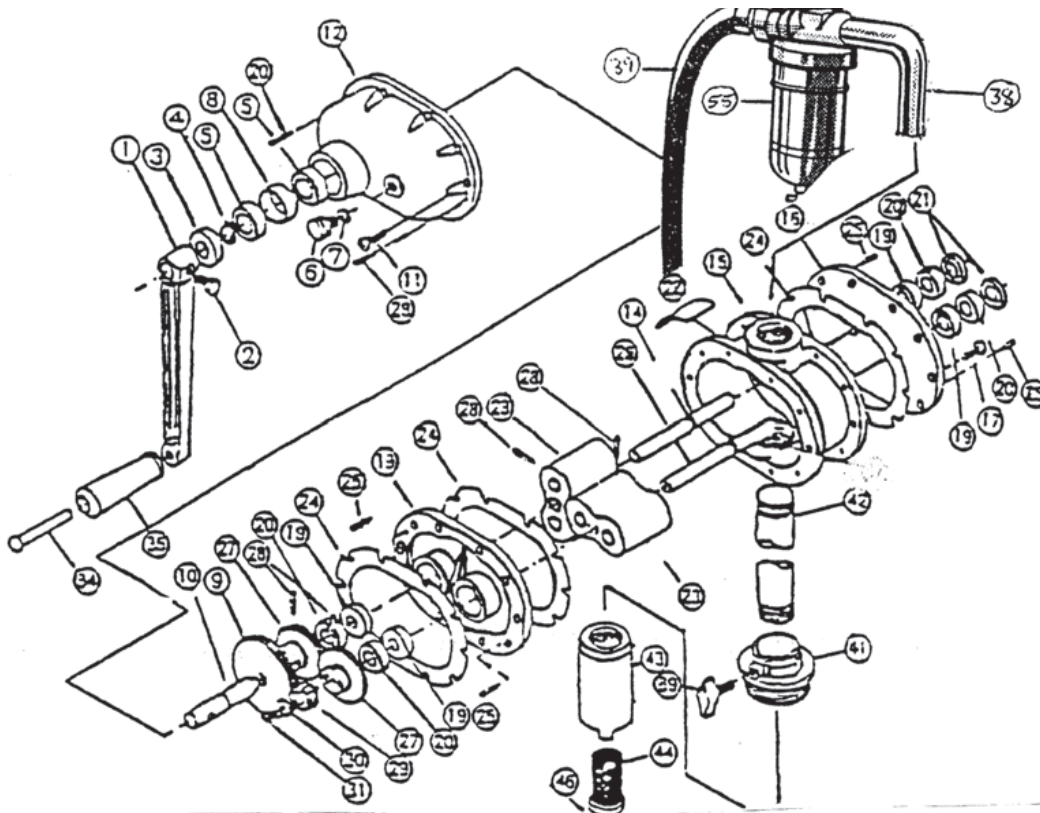
Do not use this pump for any solvent or chemical transfer as these fluids will dissolve the Buna N gaskets, etc. (Use the 301-A, 401-A, 733, or 933 for stronger solvents).

Please note when pumping fuels like kerosene, petrol or diesel, these products tend to "dry out" the internals of the pump causing parts "to stick" and the pump not to prime and dispense. To stop this from happening and to increase the working life of your pump, we recommend you lubricate the vanes of the pump by dropping a few drops of oil into the pump body by taking off downtube (2000-42) & lubricating at this opening. Rotate the handle a few times.

Do not pump fluids containing dirt or particles such as waste oil. Contaminated fluids may block the filter, preventing discharge, & may damage the pump interior or cause other problems.



Parts and Drawing Breakdown For The 5080A



Ordering Spare Parts

Parts List – Part No. 5080A

ITEM	PARTS NO	DESCRIPTION	QTY	ITEM	PARTS NO	DESCRIPTION	QTY
1	2000-1-2-34-35	Handle Asby	1	26	2000-26	Taper Pin	2
2	2000-2	Oil Seal	1	27	2000-27	Timing Gear	2
3	2000-3	Hexagon Bolt	1	28	2000-28	Pin	2
4	2000-4	Stop Ring	1	29	2000-29	Pinion Gear	1
5	2000-5	Bearing	2	31	2000-31	Screw	1
6	2000-6	Bolt	1	34	2000-34	Handle Pin	1
7	2000-7	O'Ring	1	35	2000-35	Handle	1
8	2000-8	Collar	1	38	2000-36/2	Special Spout	1
10	2000-9-10	Gear Shaft	1	39	2000-39 (52983)	Bung Screw	1
11	2000-11	Screw	10	41	2000-41	Bung Adaptor	1
12	2000-12	Gear Cover	2	42	2000-42	Down Tube	1
13	2000-13	Inside Cover	10	43	2000-43	Filter Body	1
14	2000-14	Roots shaft	4	43	2000-43-44-46	Filter Assembly	1
15	2000-15	Housing	2	44	2000-44	Strainer	1
16	2000-16	Outside cover	2	46	2000-46	Filter Stopper	1
17	2000-17	Screw	3	50	2000-50	Spring (Nozzle)	1
19	2000-19	Oil Seal	6	51	2000-51	Fuel Hose Asby	1
20	2000-20	Bearing	4	52	2000-52	Nozzle	1
21	2000-21	Oil Seal	2	55	FA2	Fuel Filter	1
22	2000-22	Nozzle Bracket	1				
23	2000-23	Impeller	2				
24	2000-24	Seal	3				
25	2000-25	Taper Pin	3				

Note: 2000-43, 2000-44, 2000-46 is only available in kit form 2000-43-44-46 Note: 2000-25 & 2000-28 is one complete part.

Trouble Shooting

TROUBLE	REMEDY
Handle fails to turn	Gears broken - Return for repair. Dirt, etc clogging up the pump - Overhaul & clean.
Handle is hard to turn	Dirt, etc clogging up the pump - Overhaul & clean. Filter blocked - Clean the filter
Not Priming / Pumping	Impeller dry - lubricate at down tube / body point, turn handle a few times.
Handle turns but no discharge	Gears broken / Shaft or pin broken - Return for repair

NSW TEL: (02) 9939 0711 FAX: (02) 9939 0411	QLD/PNG TEL: (07) 3889 8480 FAX: (07) 3889 8490	VIC/TAS TEL: (03) 8787 8288 FAX: (03) 8787 8266	WA TEL: (08) 9209 3066 FAX: (08) 9209 3933	SA/NT TEL: (08) 8241 7111 FAX: (08) 8241 7011	NZ TEL: (09) 447 1007 FAX: (09) 447 1008
---	---	---	--	---	--